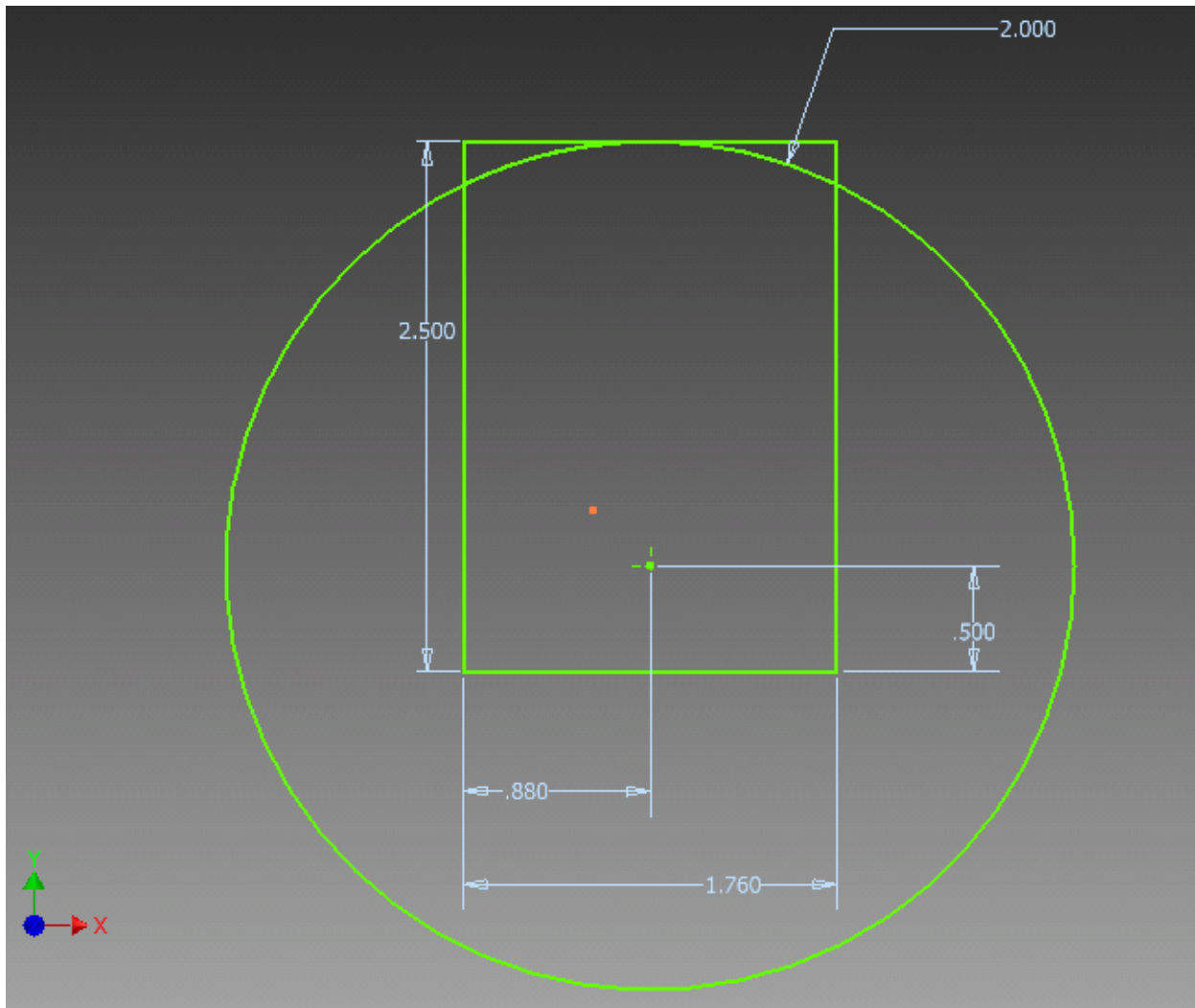





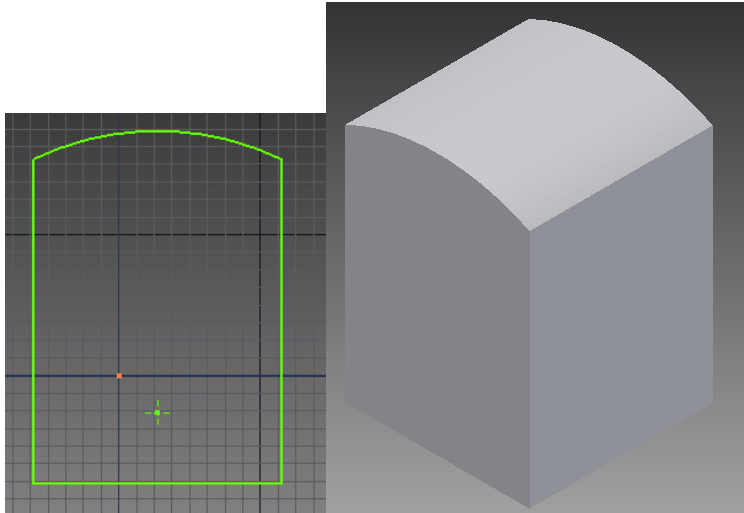
Cab



Open a standard.ipt

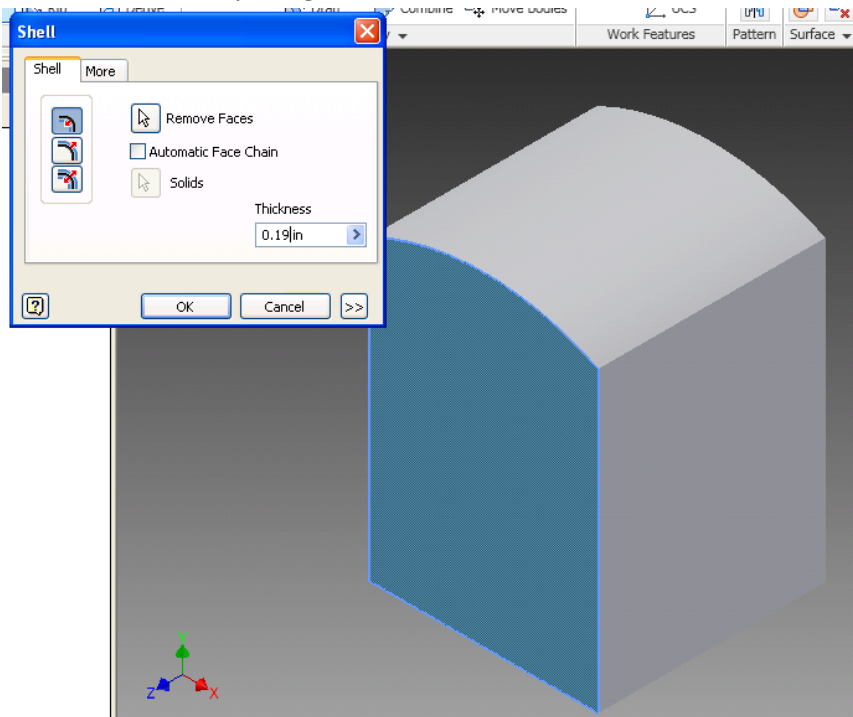
Use the circle tool  Circle to make a circle with a radius of 2.00. Next create a rectangle  Rectangle

using the dimensions above. Once the image is created use the trim  Trim tool to cut away lines will the image of the cab remains. Deleting the dimensions will help trim.

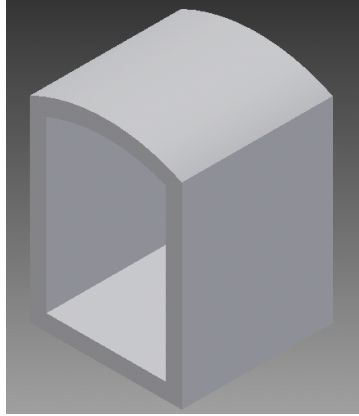


Next extrude the image out 1.75

Next shell out the back by using the shell tool  Shell make sure to click the back of cab to remove

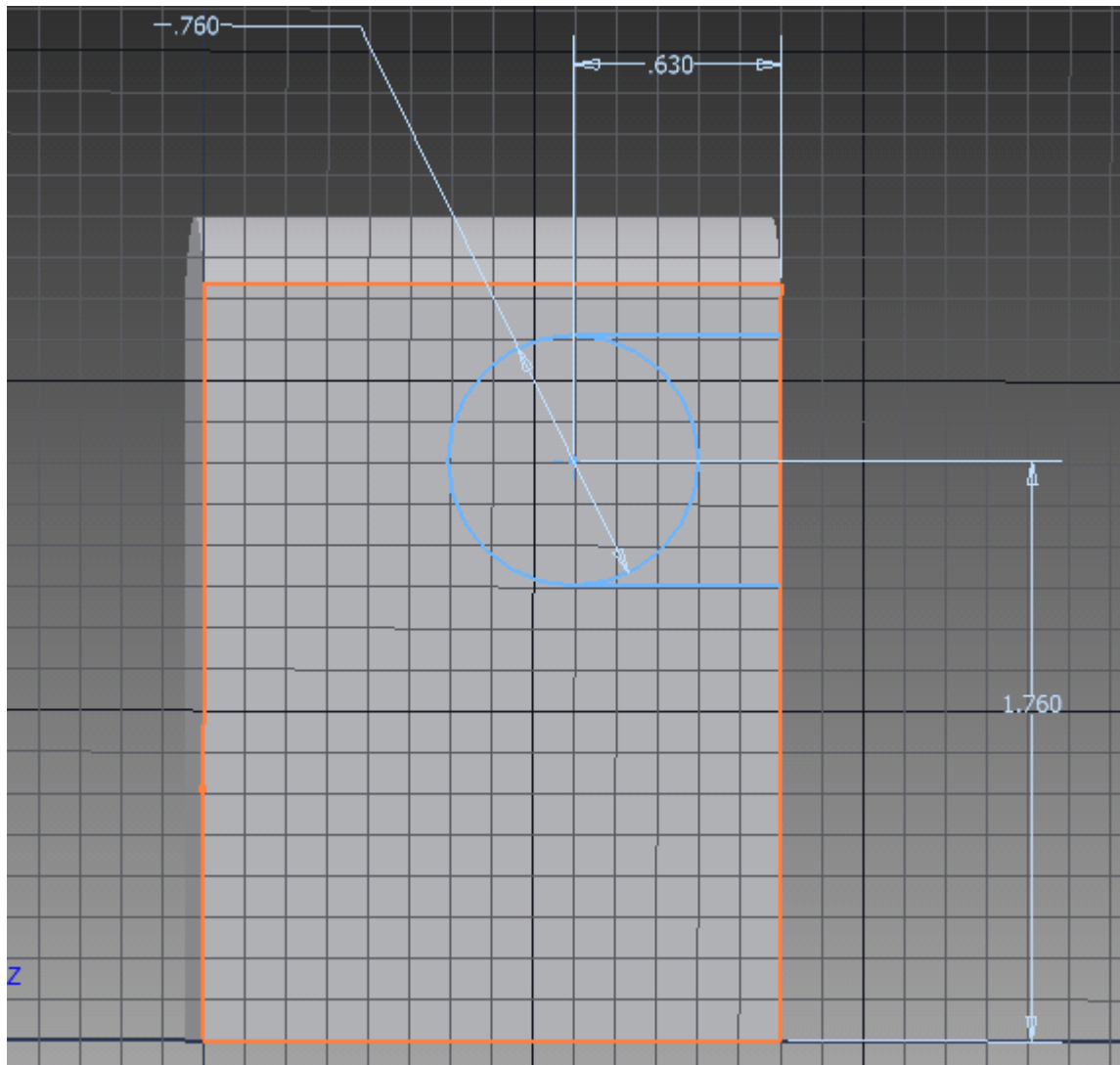


face.

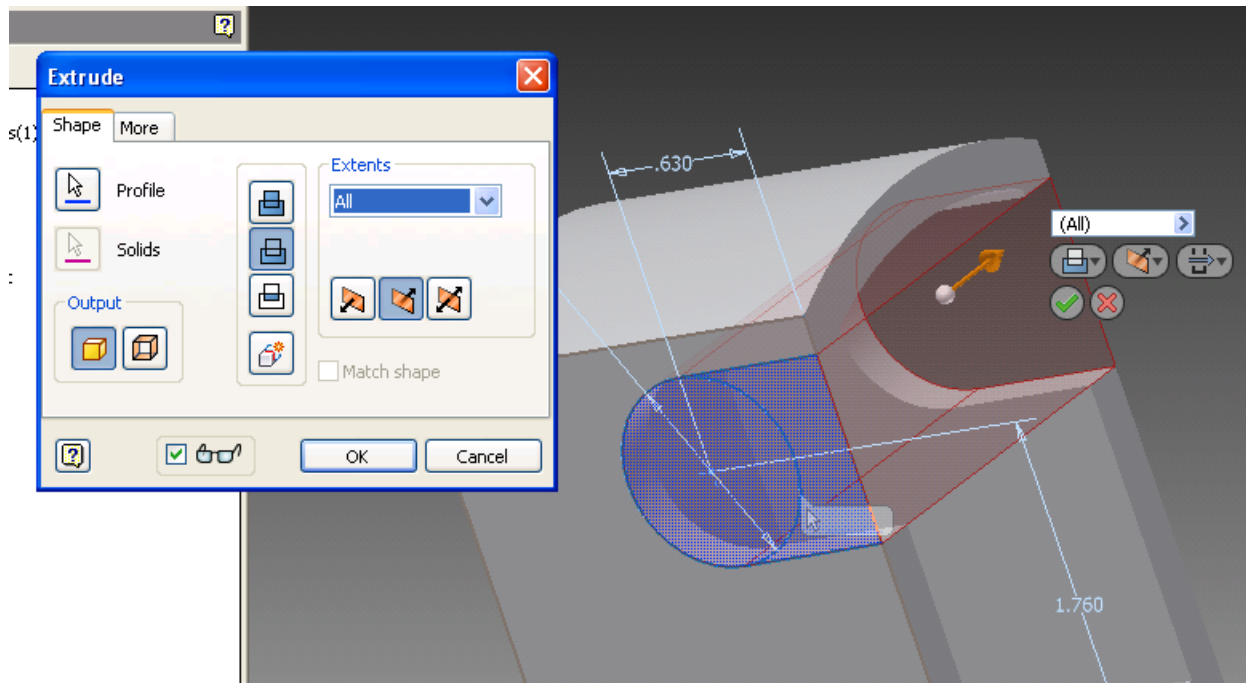


It should look like this.

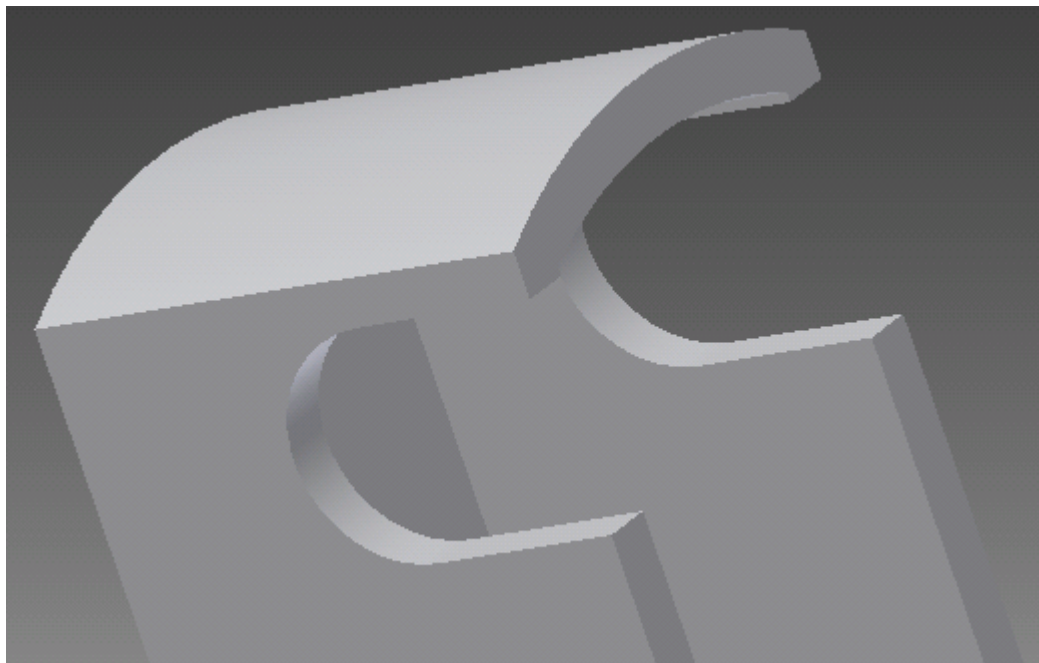
Next create a 2d sketch on one of the sides of the cab.



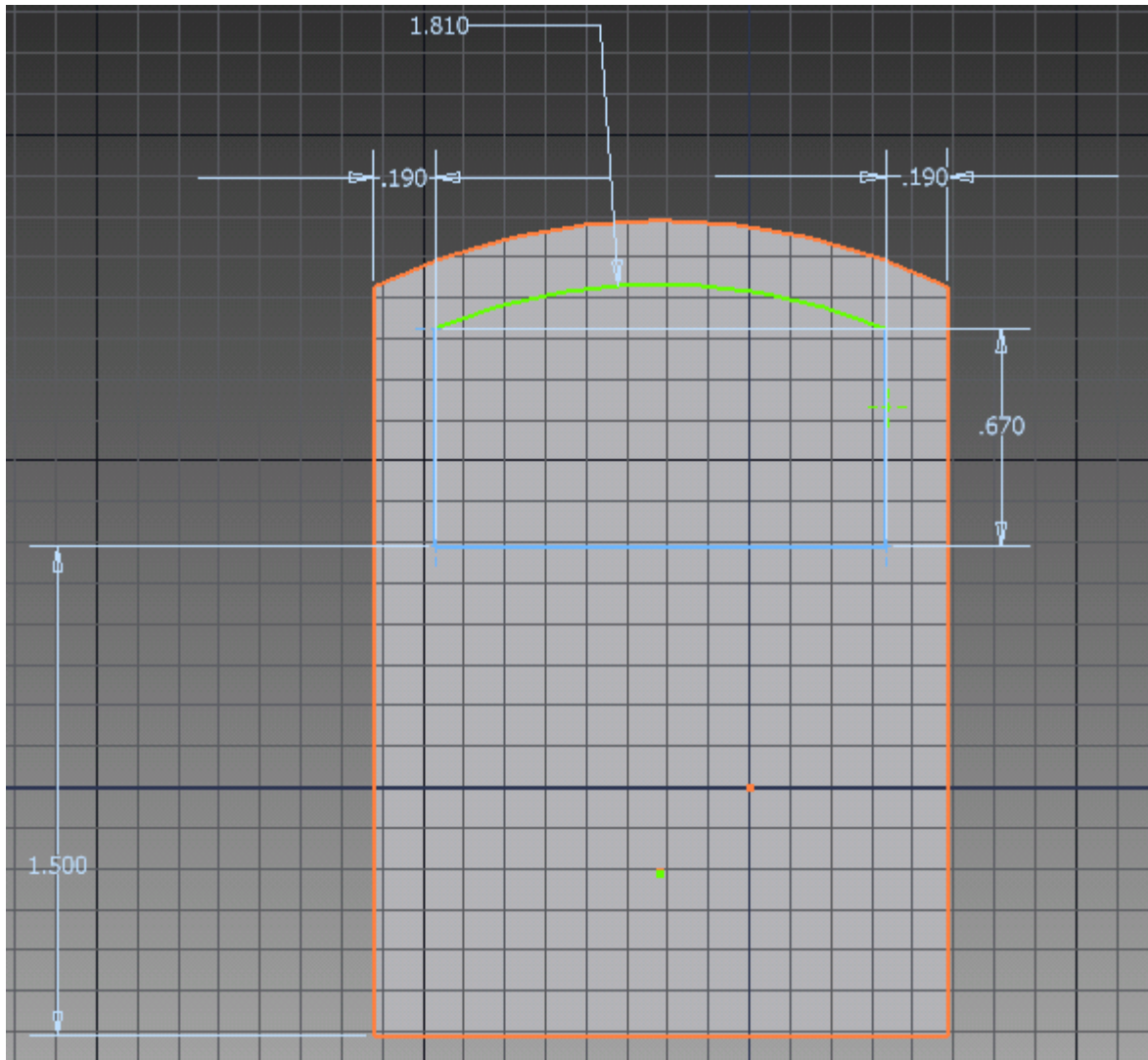
Once the window has been drawn out using a circle and 2 lines, dimension correctly. Then finish sketch and extrude cut, with a distance of ALL



It should look like this after you click ok



Next create a 2d sketch on the front of the cab with the dimensions from the windshield

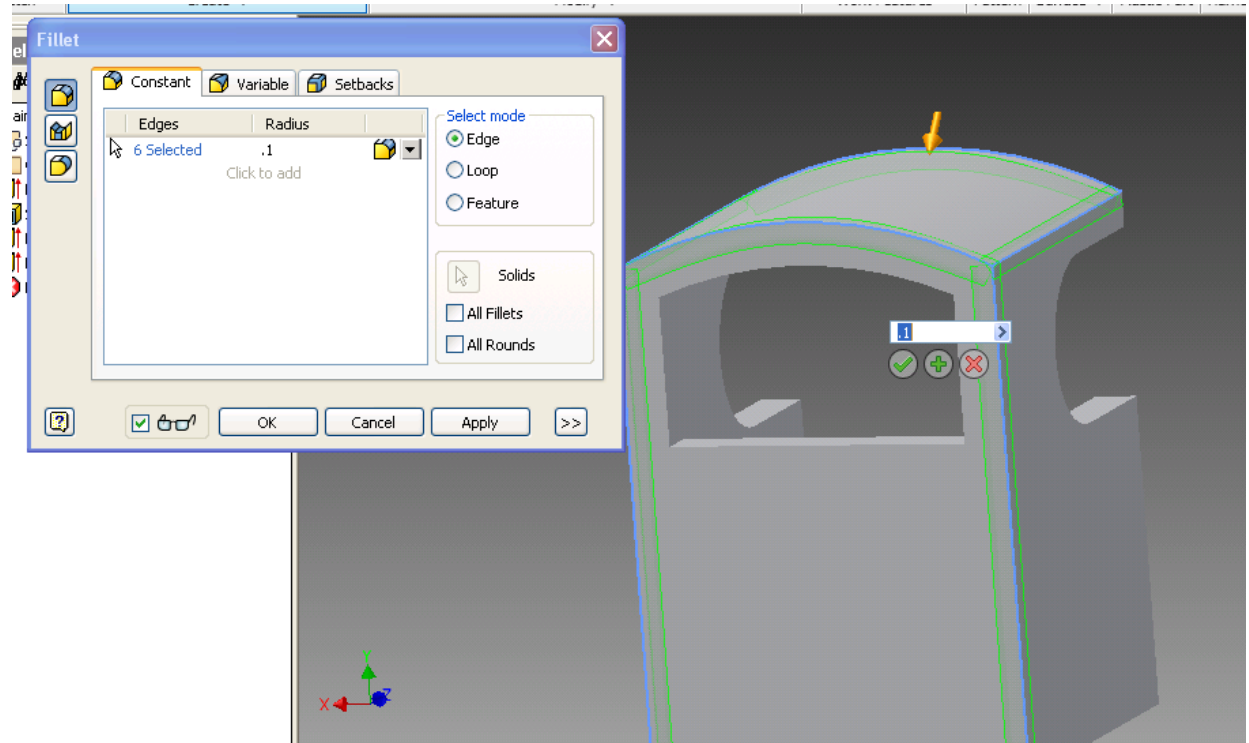


Once you have sketched out the window finish sketch then extrude cut.





Last step is to fillet the edges using the fillet tool click the edges and apply the fillet.



Finished cab should look like this.

