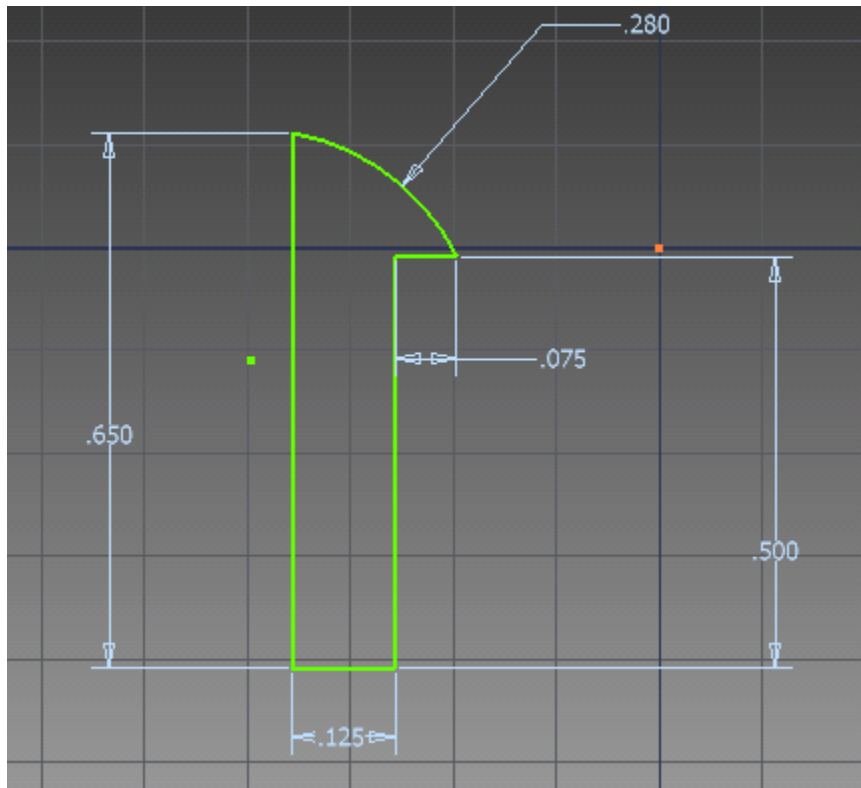


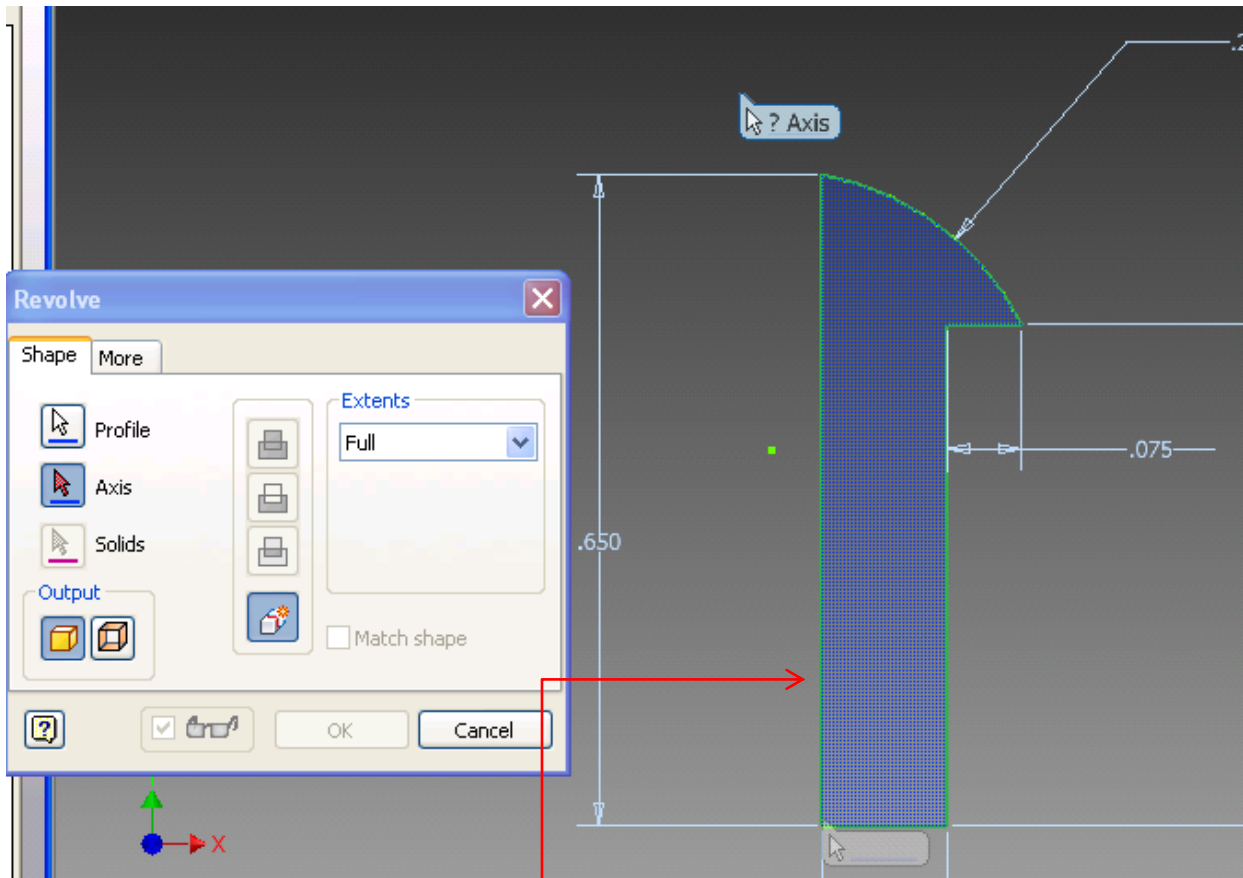
Hitch Peg



Open a standard.ipt

Use the line tool and the 3pt arc to create the drawing above. Make sure you close loop and dimension correctly

Then click finish sketch and then click revolve. Make sure you click the correct axis to revolve



This is the axis line



this is the final object