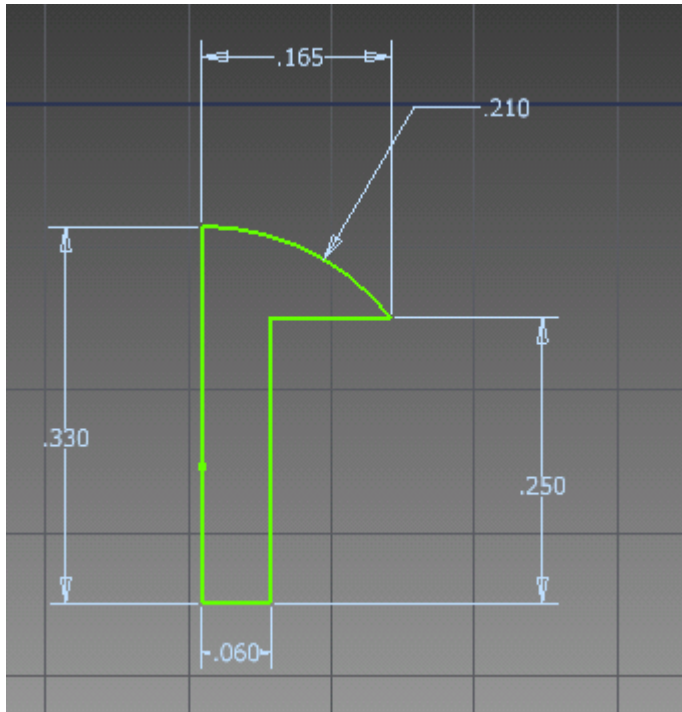

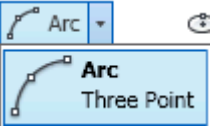



Linkage peg

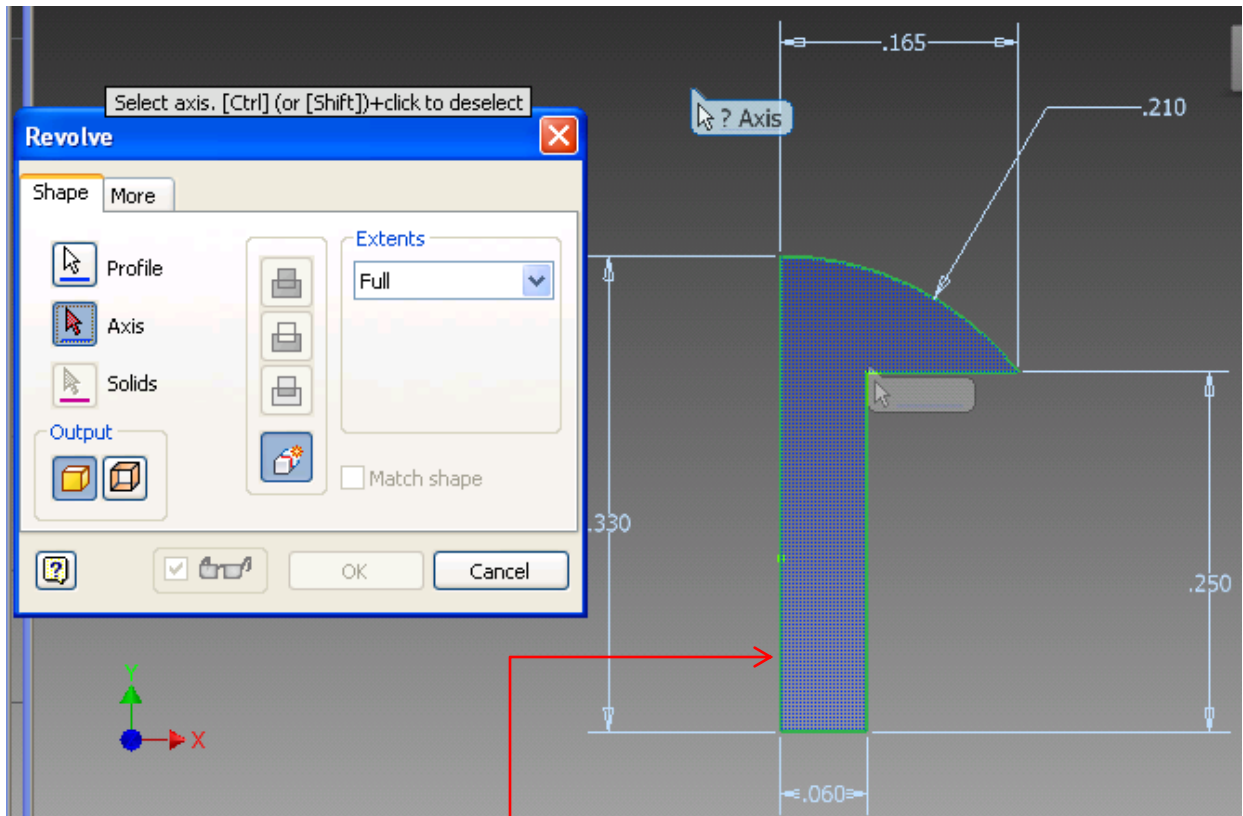


Open a standard.ipt

Use the line tool  and 3pt arc  to create the image above. Dimension correctly,

when finished hit finished sketch  .

Next hit the revolve button  and click the axis to revolve around.



This is the axis line _____

Finished object should look like this

