


## Train Body

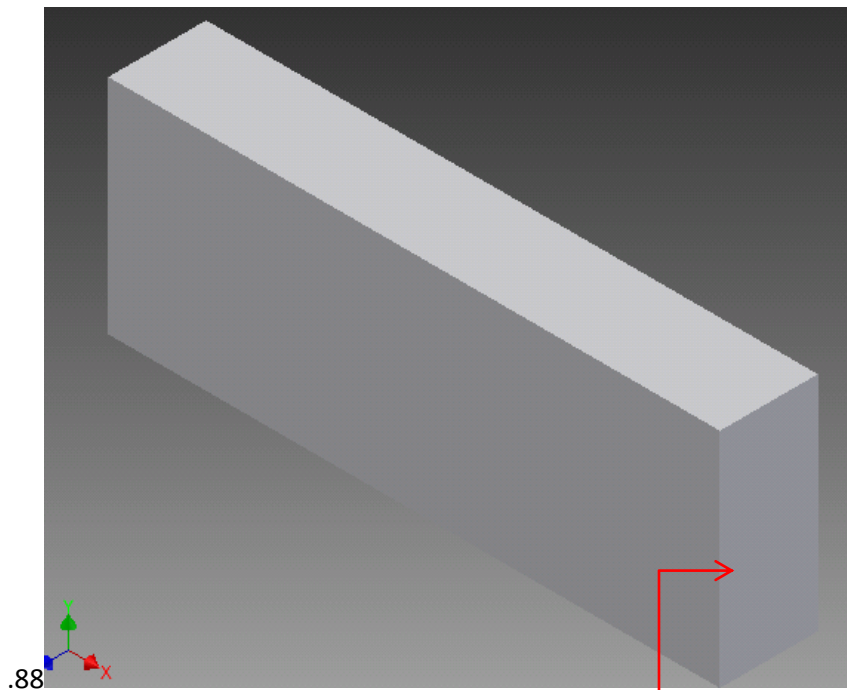
**Make sure to SAVE FREQUENTLY and OFTEN**



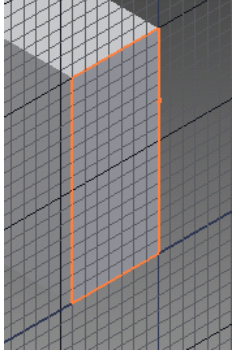
Open a standard.ipt

Use the rectangle tool  Rectangle to create a rectangle with the dimensions above.

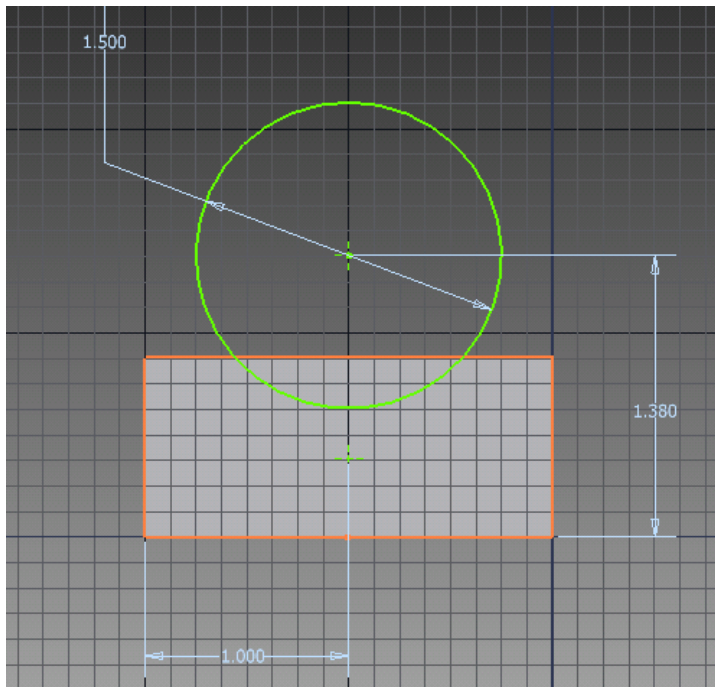
Then click finish sketch and extrude out



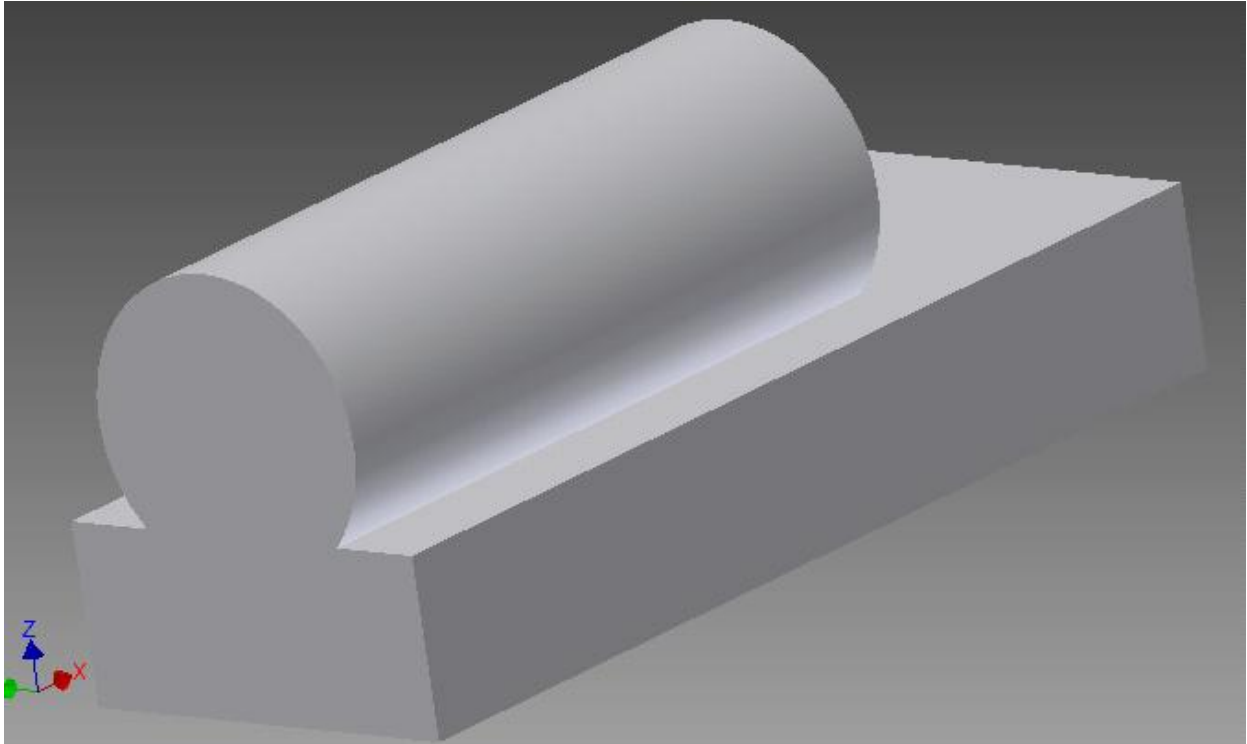
Next create a sketch on this side of the object



On this sketch use the circle tool to create a circle to the image below follow the dimensions



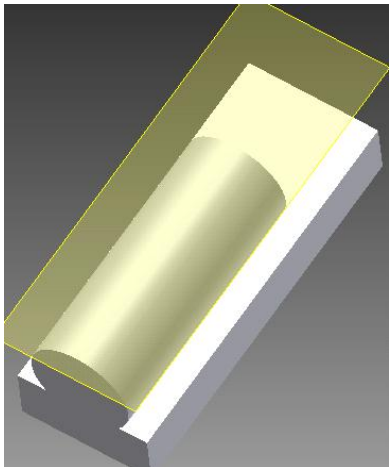
Next hit finish sketch and extrude the circle back to specific dimension do some math to figure it out.



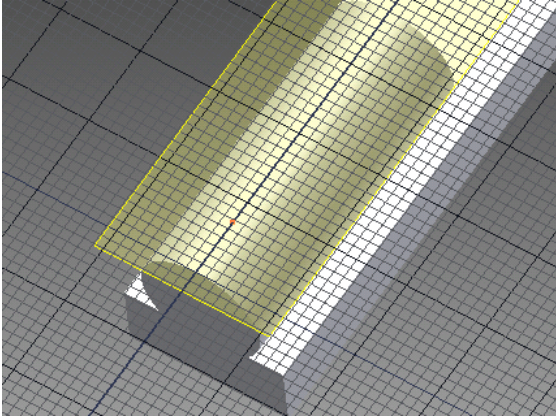
Next to put the smoke stack hole on the top of the cylinder you need to put a work plane on.



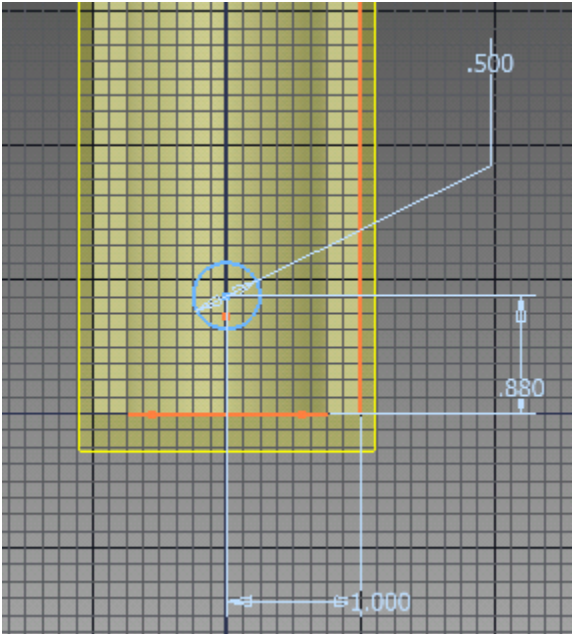
Click work plane and click the cylinder of the train. Then once the rectangle of the plane has shown, click again to set it into place.



Next click create a 2d sketch and click the EDGE of the work plane to put a sketch on.



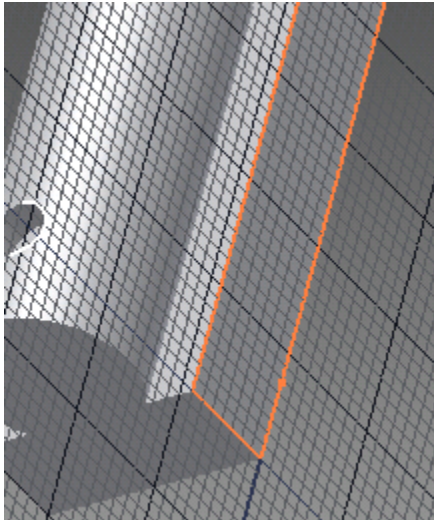
Next use the circle tool to place the circle of the smoke stack hole



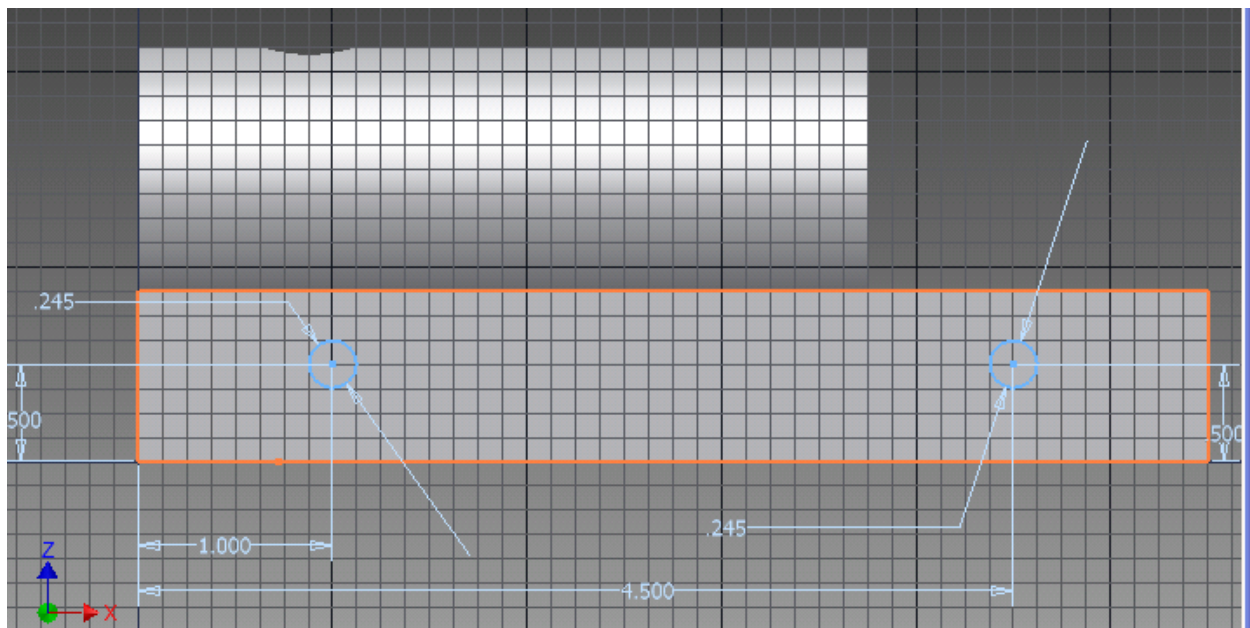
Next hit finish sketch and extrude the circle down .28. *(If you right click on the edge of the work plane and unclick visibility the work plane will disappear)*



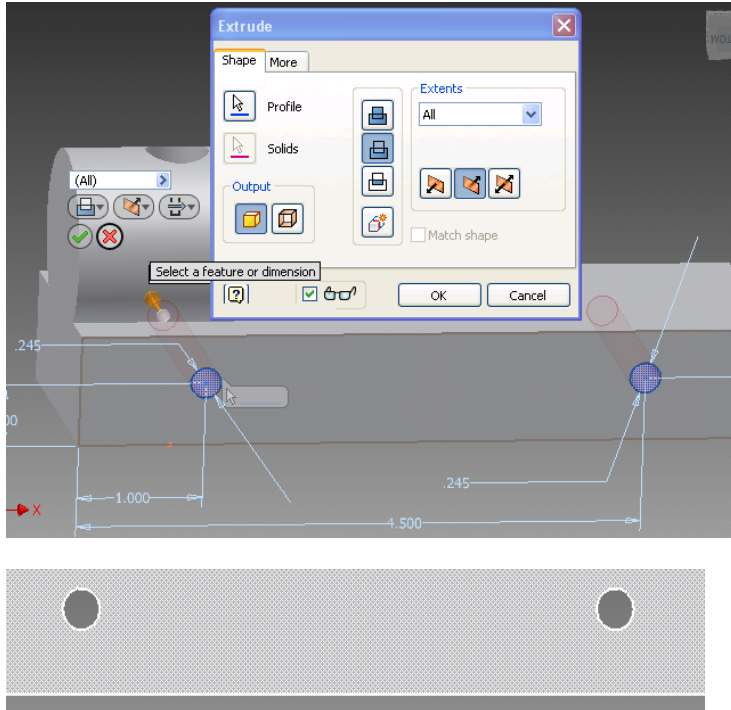
Next click create a 2d sketch and click the side of the train.



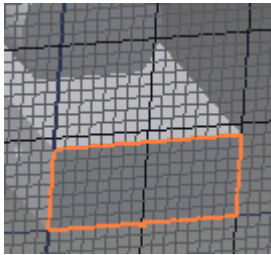
Next use the circle tool to draw 2 circles. Make sure you dimension them correctly.



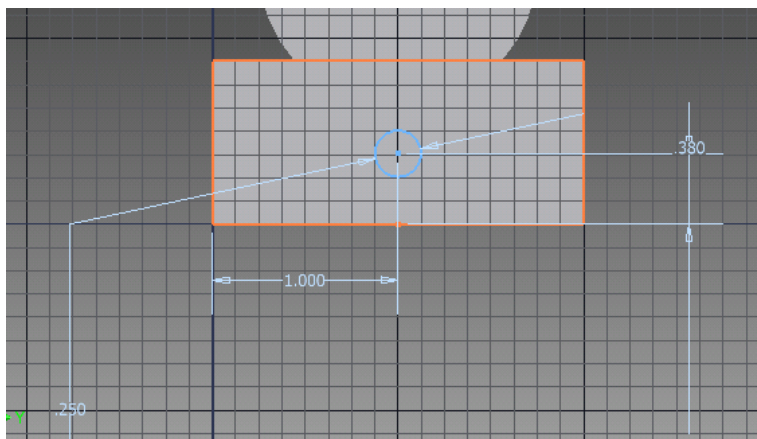
Next hit finish sketch and extrude cut both holes All the way thru.



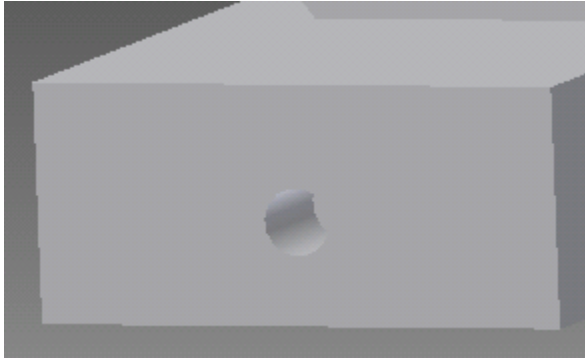
Next click create a 2d sketch on the back of the train



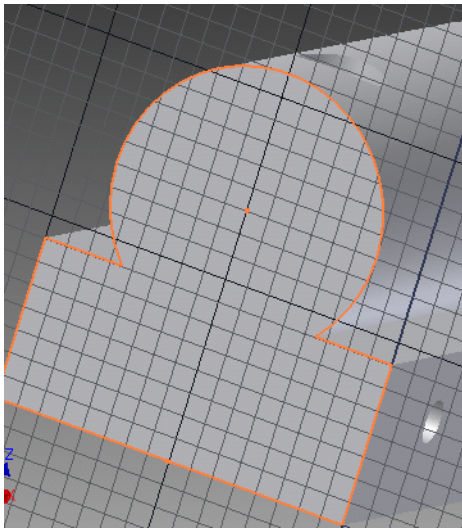
Next click the circle tool  to create a circle dimension correctly.




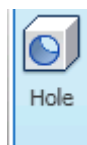
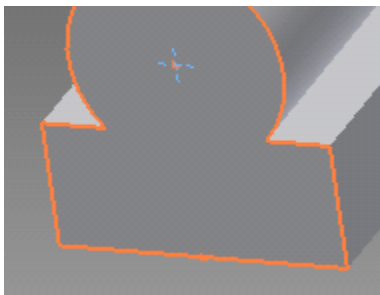
Then click on the finish sketch button and extrude cut the hole .50

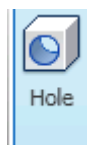


Next click create a 2d sketch and select the front of the train.

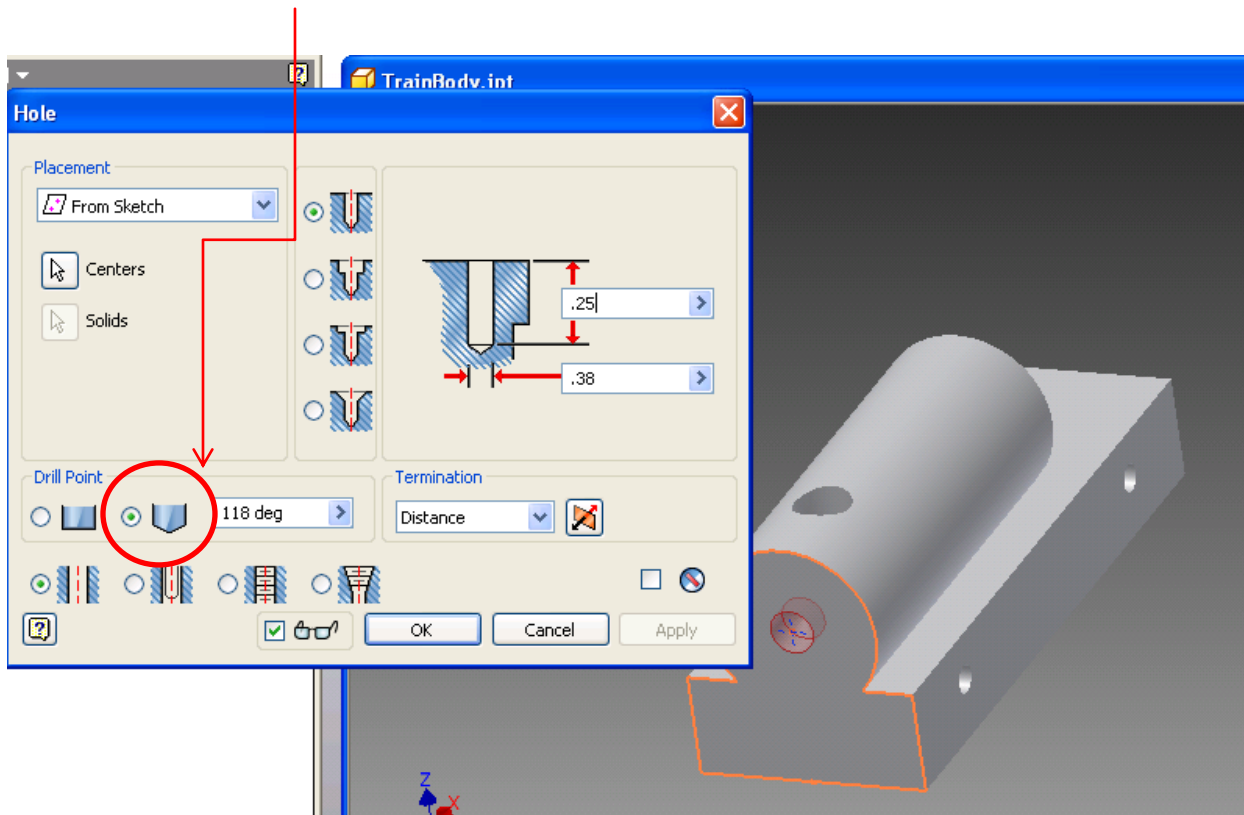


Next hit the point icon  . Next place the point on the center of the cylinder. Then click finish sketch



Next hit the hole icon  . Make sure you input the correct dimensions. Also make sure the hole has the correct finish on it.





Next click ok and your sketch is done for the train body.

